

Type of products

## Shear type

Features

## Anti-eccentricity & Strong against lateral load



### Tension/Compression Load Cell

**Center Hole Type**

Load management for injection molding machines and wafer polishers

**Sleek Design**

Space saving and easy to install on the existing equipment

**Mounting Method**

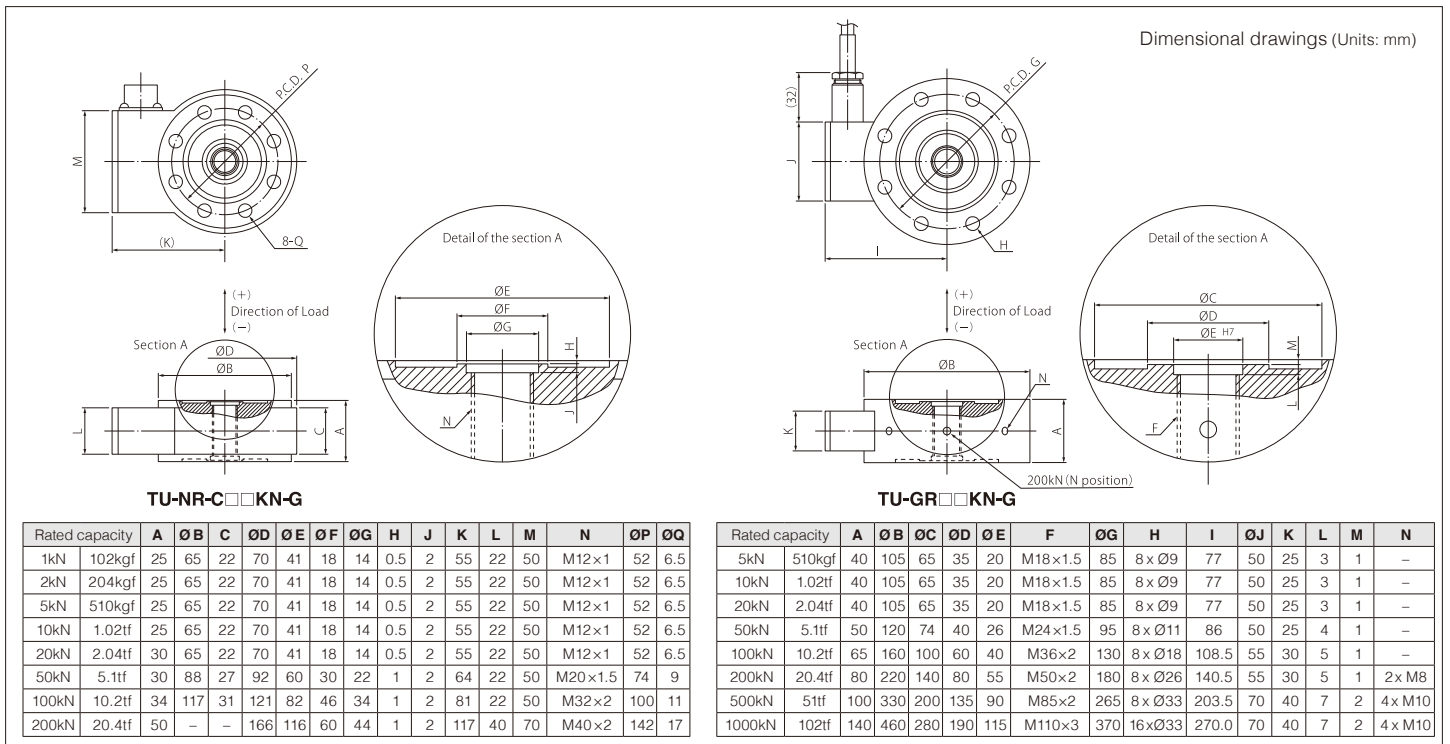
Fix with bolts

**Tension/Compression Compatible**

(Actual load) calibrated in the tension and compression direction

#### Specifications

Type	Tension/Compression Load Cell																
Model	TU-NR-C□□KN-G <span style="background-color: #008000; color: white; padding: 2px;">RoHS</span> (10 substances)								TU-GR□□KN-G <span style="background-color: #008000; color: white; padding: 2px;">RoHS</span> (10 substances)								
Rated Capacity (R.C.)	1kN	2kN	5kN	10kN	20kN	50kN	100kN	200kN	5kN	10kN	20kN	50kN	100kN	200kN	500kN	1000kN	
Natural Frequency	6.5kHz	8kHz	11kHz	16kHz	21kHz	18kHz	16kHz	12kHz	3.5kHz	5kHz	7.6kHz	8.8kHz	7kHz	5.6kHz	5.9kHz	3.3kHz	
Weight (Approx.)	0.6kg	0.6kg	0.6kg	0.6kg	0.7kg	1.1kg	2.2kg	6kg	2.2kg	2.2kg	2.2kg	3.7kg	8.5kg	20kg	54kg	140kg	
Safe overload rating	150 % R.C.								150 % R.C.								
Rated Output (R.O.)	0.75 mV/V ±1%	1 mV/V ±1%	1.5mV/V ±1%						2mV/V ±1%								
Linearity	0.15% R.O.								0.05% R.O.								0.15% R.O.
Hysteresis	0.15% R.O.								0.1% R.O.								0.15% R.O.
Repeatability	0.1% R.O.								0.03% R.O.								0.1% R.O.
Safe Excitation Voltage	20V (12V recommended)								20V								
Input Terminal Resistance	350Ω ±1%								350Ω ±1%								
Output Terminal Resistance	350Ω ±1%								350Ω ±1%								
Insulation Resistance	1000MΩ or more (DC 50V)								1000MΩ or more (DC 50V)								
Compensated Temperature Range	-10 to 60°C								-10 to 60°C								
Permissible Temperature Range	-30 to 80°C								-30 to 80°C								
Temperature Effect on Zero Balance	0.1% R.O. / 10°C		0.05% R.O. / 10°C						0.05% R.O. / 10°C								
Temperature Effect on Output	0.1% R.C. / 10°C								0.1% R.C. / 10°C								
Cable	Φ8, 4-core shielded cable, 5m Bare lead wires on one end, and PRC03-12A10-7M on another end								Φ8, 4-core shielded cable, 5m Direct connection cable with bare lead wires								
Mounting Method	Bolt holes								Bolt holes								
Body Material	Alloy tool steel								Alloy tool steel								
Remarks	Main unit connector: PRC03-21A10-7F								Eyebolt included								



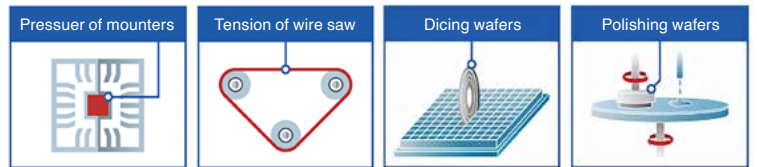
Advantages of the TEAC Load Cells

**TEAC Load Cells**

Since the 1980s, when TEAC started manufacturing and selling load cells, we have cultivated technologies to achieve higher precision and smaller size with our unique structures. With these technologies, a number of load cells that achieve high response, high accuracy, and high stability, as well as products that take environmental conservation into consideration have been developed to match customers' applications.

We also offer customization for specific conditions (usage environment, space) that are difficult to meet with standard ones. From one-off prototypes to mass production, we support engineers involved in research and development on manufacturing technology.

Examples of application



Related Products (Indicators and Signal Conditioners)

**New**  
EtherNet/IP model  
CC-Link model

92 x 92mm  
Panel opening size

Color Graphics Digital Indicator  
**TD-9000T**  
RS-485 model  
EtherNet/IP™ model  
CC-Link model

**High performance model with large LCD**

Supporting two inputs, force sensor and displacement sensor, various comparison judgments function, and direct saving of waveform data onto large capacity internal memory.



92 x 45mm  
Panel opening size

Digital Indicator  
**TD-700T**  
Standard model  
CC-Link model  
RS-485 model

**Excellent model with compact and high functionality**

Supporting five key functions in one unit, numeric display, graph display, TEDS function, static strain display, and signal conditioner. This small and cost-effective TD-700T achieves equal or even higher performance to upper-class models, with high-visibility color LCD and various hold functions.



**New**

Attaches to common DIN rails

Signal Conditioner  
**TD-SC1**  
D/A model  
RS-485 model

**Slim and light-weight signal conditioner**

Supporting high-speed sampling of 20,000 times/second, PC-based configuration via USB connection, selectable network, and TEDS calibration function.



Weights only 320g (incl. batteries)

Portable Digital Indicator  
**TD-01 Portable**

**On-site checking tool with versatility**

Supporting various functions that equal to embeded systems, in hand-held size, allowing you to take measurements anytime anywhere, according to your purpose.



EtherNet/IP is a trademark of ODVA, Inc. Other company names, product names and logos in this document are the trademarks or registered trademarks of their respective holders.