

**TU-NR-C-G**

**CE UK CA** Tension/Compression Load Cell

**Introduction**

Thank you for purchasing the TU-NR-C-G load cell. Please read this document completely before using this load cell to achieve its best performance and ensure safe and proper operation.

- Company names and product names in this document are the trademarks or registered trademarks of their respective owners.

**Included accessories**

If anything is missing or damaged, contact the retailer where you purchased the product.

- Test report × 1
- Instructions for Use (this document) × 1

**IMPORTANT SAFETY INSTRUCTIONS**

**WARNING**

**If something abnormal occurs**  
Request repair from the retailer where you purchased the product.

**Do not open the cover.**  
Never remove the cover from this unit. Doing so could cause malfunction. Request inspection and repair from the

**Screw types and tightening torques**

Rated capacity	Center screw section		Flange bolt section	
	Tightening torque	Dimension of load cell screw hole	Tightening torque	Dimension of load cell screw hole
1 kN	96 N·m	M12 × 1	10 N·m	M6
2 kN	96 N·m	M12 × 1	10 N·m	M6
5 kN	96 N·m	M12 × 1	10 N·m	M6
10 kN	96 N·m	M12 × 1	10 N·m	M6
20 kN	96 N·m	M12 × 1	10 N·m	M6
50 kN	400 N·m	M20 × 1.5	25 N·m	M8
100 kN	1.3 kN·m	M32 × 2	43 N·m	M10
200 kN	3.2 kN·m	M40 × 2	190 N·m	M16

Use screws with a strength grade of 12.9. In addition, the length of thread engagement for the screw and the mounting part (internal threads) should be about twice the nominal diameter of the screw. Please consult with us if you are uncertain about screw selection, for example.

- Tighten with the torque shown in the “Screw types and tightening torques” table to prevent the load button or load rod from becoming loose. Be sure not to apply torque that exceeds the tightening torque shown in the table even when removing an attached load button or load rod. A thread-locking fluid can be used on the screw, but be aware that this could prevent removal of the load button or load rod.
- When tightening the load button or load rod with the torque shown in the “Screw types and tightening torques” table, do not let the counterforce be applied to the load cell. (Do not hold the entire load cell in place while tightening the nut.) If twisting force is applied between the central screw part and the surrounding screw holes, that force could be transferred to the load detection part and damage it.
- When connecting a load button or load rod to this unit (or disconnecting one), check the values in the Values Table of the Specifications.

retailer where you purchased the product. Do not alter this unit. Doing so could cause malfunction.

**Do not put foreign objects or water, for example, into the unit.**

Do not place a container that holds water, for example, on top of this unit. If liquid is spilled, for example, and enters the unit, this could cause malfunction.

**Do not use the unit with any power supply voltage other than that specified.**

Do not use the unit with any power supply voltage other than that specified. Doing so could cause malfunction.

**CAUTION**

**Unsuitable installation locations**

Do not place the unit in the following types of locations. Doing so could cause malfunction.

- Locations where it might be exposed to smoke or steam, such as near a kitchen table or humidifier
- Unstable locations, including unsteady stands and tilted places
- Locations that are very humid or dusty
- Locations that are exposed to direct sunlight

**When not using the unit for a long time**

For safety, cut the power supply when not using this unit for a long time.

**Do not operate a damaged unit.**

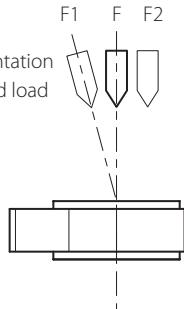
**Precautions for use**

- This unit is not built to be water or splash resistant, and it cannot be used in conditions when the relative humidity is high. Moreover, use in atmospheres with corrosive gases should be avoided.
- Be careful to prevent water, oil and other substances from getting on the unit.
- Avoid use in conditions where condensation could occur.

- When using with tension, consider the detent of all the screws, and consider implementing inspections before starting work, for example. In addition, also consider examinations to prevent accidents caused by falling objects due to damaged load cells resulting from overloads and unbalanced loads, for example.

**Precautions when placing loads on the unit**

- Make sure the load is perpendicular to the surface to which this unit is attached.
- Apply the load so that it is centered on the center of the unit. If the load is not centered (eccentric load), twisting, for example, and measurement errors could occur. This could even result in damage.

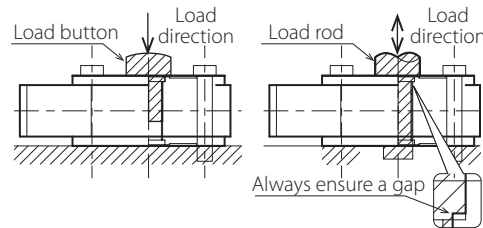


- If the load receiving area is contacted by something that is at a different temperature and the load is increased, the values output by this device could become unstable, making accurate measurement impossible. In such a case, wait until the temperature difference ceases to exist before measuring.
- Do not apply any load to the area shown by shading with diagonal lines in the illustration below. Applying a load to the shaded area will break the load cell.

- Connect cores to the load cell after discharging (eliminating) static electricity from your body.
- If the surrounding temperature changes suddenly, the values output by this device could become unstable, making accurate measurement impossible. (This could occur, for example, in a location blown by warm or cold air.)
- Conduct load calibrations periodically.

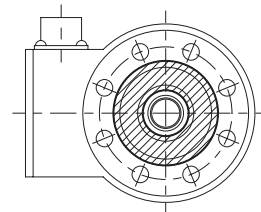
**Installation procedures**

- Install this unit in a place where the structure is level and can sufficiently bear the load being used. Output precision could be affected if the attachment surface does not meet parallelism and flatness requirements.
- Refer to Figure 1 for use with only compression loads. Refer to Figure 2 for use with tension/compression loads.
- Attach a load button when using with compression. When using with tension, attach a load rod, for example.



**Figure 1. Compression**      **Figure 2. Compression/tension**

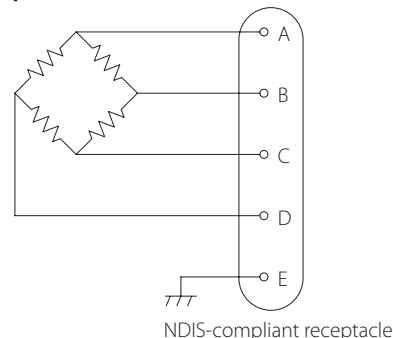
- Insert screws (steel hexagon socket head cap screws) into the screw holes near the edge of the load cell, and fix it to the flat attachment surface. (Output precision could be affected if the attachment surface is not flat.) The size of the screws used and their number depends on the rated capacity (model name) of the load cell as shown below.



**Electrical connection of load cell**

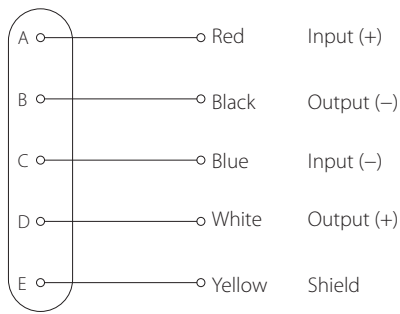
Connect as shown in the illustration below. Incorrect connections could result in inability to balance and in errors occurring in the output voltage when loads are applied.

**Receptacle in device**



- This unit does not support remote sense. See the operation manuals of indicators and strain amps that support remote sense for how to connect sensors with those units.
- The shield is connected to the main body of this product. For this reason, if grounding is necessary because of external noise or another issue, arrange to ground the shield to a part other than the body of this unit, for example.
- Use a specialized cable when replacing the cable or to increase the length. (Please consult with us.)

## When included cable connected



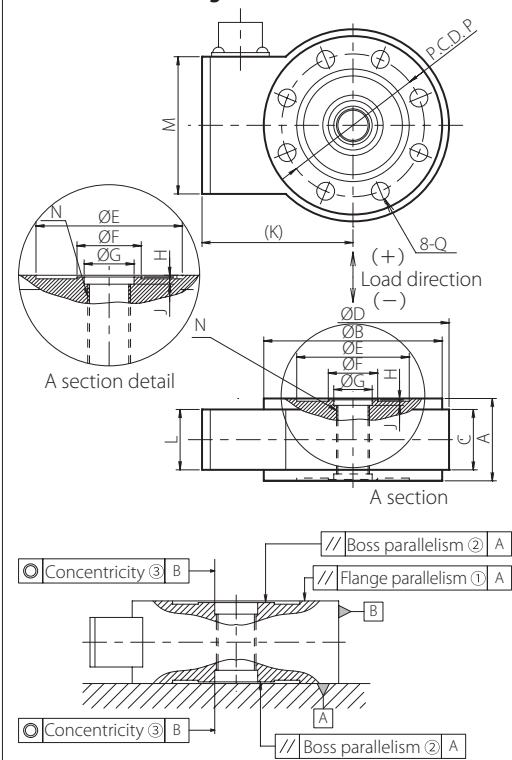
## Handling after use

- When moving this unit while it is attached, take protective measures to prevent it from being shaken or subjected to excessive external forces.
- When storing it, keep it in a dry place where it will not be exposed to water or oil, for example.

## Specifications

TU-NR-C 1KN-G to TU-NR-C 200KN-G  
 Rated capacity: 1 kN, 2 kN, 5 kN, 10 kN, 20 kN, 50 kN, 100 kN, 200 kN  
 Safe overload rating: 150% R.C.  
 Rated output: 0.75 mV/V  $\pm$ 1% (1 kN)  
 1.0 mV/V  $\pm$ 1% (2 kN)  
 1.5 mV/V  $\pm$ 1% (5 kN to 200 kN)  
 Linearity: 0.15% R.O.  
 Hysteresis: 0.15% R.O.  
 Repeatability: 0.1% R.O.  
 Zero balance:  $\pm$ 5% R.O.  
 Safe excitation voltage: 20 V  
 Input terminal resistance: 350  $\Omega$   $\pm$ 1%  
 Output terminal resistance: 350  $\Omega$   $\pm$ 1%  
 Insulation resistance: 1000 M $\Omega$  or more (DC 50 V)  
 Compensated temperature range: -10 to 60°C  
 Permissible temperature range: -30 to 80°C  
 Temperature effect on zero balance:  
 0.1% R.O./10°C (1 kN to 2 kN)  
 0.05% R.O./10°C (5 kN to 200 kN)  
 Temperature effect on output: 0.1% R.C./10°C  
 Connector: receptacle in device (PRC03-21A10-7F)  
 Cable:  $\varnothing$ 8mm 4-core shielded cable, 5m, bare lead wires for one end, PRC03-12A10-7M for other end  
 Body material: alloy tool steel  
 Environmental compliance: RoHS (10 substances)  
 TEDS: not supported

## Dimensional drawings



## Geometric tolerances

Rated capacity	Flange parallelism ①	Boss parallelism ②	Concentricity ③
1 kN 102 kgf	0.01	0.02	0.07
2 kN 204 kgf			
5 kN 510 kgf			
10 kN 1.02 tf			
20 kN 2.04 tf			
50 kN 5.1 tf			
100 kN 10.2 tf			
200 kN 20.4 tf			

Rated capacity	A	ØB	C	ØD	ØE	ØF	ØG (H7)	H	J	K	L	M	N	ØP	ØQ	
1 kN	102 kgf	25	65	22	70	41	18	14	0.5	2	55	22	50	M12 × 1	52	6.5
2 kN	204 kgf	25	65	22	70	41	18	14	0.5	2	55	22	50	M12 × 1	52	6.5
5 kN	510 kgf	25	65	22	70	41	18	14	0.5	2	55	22	50	M12 × 1	52	6.5
10 kN	1.02 tf	25	65	22	70	41	18	14	0.5	2	55	22	50	M12 × 1	52	6.5
20 kN	2.04 tf	30	65	22	70	41	18	14	0.5	2	55	22	50	M12 × 1	52	6.5
50 kN	5.1 tf	30	88	27	92	60	30	22	1	2	67	22	50	M20 × 1.5	74	9
100 kN	10.2 tf	34	117	31	121	82	46	34	1	2	81	22	50	M32 × 2	100	11
200 kN	20.4 tf	50	-	-	166	116	60	44	1	2	117	40	70	M40 × 2	142	17

## Values Table

Model	Allowable bending moment		Allowable lateral load		Allowable torque	Natural frequency (kHz)	Weight (kg)
	Extent of precision compensation	Extent that will not cause mechanical damage	Extent of precision compensation	Extent that will not cause mechanical damage			
TU-NR-C 1KN-G	0.6 N·m	8.4 N·m	58.8 N	2.7 kN	2.1 N·m	6.5	0.6
TU-NR-C 2KN-G	1.1 N·m	16.3 N·m	98.0 N	4.1 kN	3.9 N·m	8	0.6
TU-NR-C 5KN-G	1.7 N·m	25.3 N·m	166.7 N	6.8 kN	11.4 N·m	11	0.6
TU-NR-C 10KN-G	3.7 N·m	53.8 N·m	323.6 N	14.4 kN	51.5 N·m	16	0.6
TU-NR-C 20KN-G	10.4 N·m	148.9 N·m	657.0 N	29.9 kN	164.6 N·m	21	0.7
TU-NR-C 50KN-G	13.6 N·m	195.2 N·m	1.6 kN	30.1 kN	392.0 N·m	18	1.1
TU-NR-C 100KN-G	48.1 N·m	687.6 N·m	3.2 kN	63.9 kN	1.9 kN·m	16	2.2
TU-NR-C 200KN-G	190.7 N·m	2.7 kN·m	6.5 kN	175.2 kN	7.9 kN·m	12	6.0

## Warranty explanation

- The warranty period for this device is one year from the date of purchase.
- Be aware that repairs will require payment in the following cases even during the warranty period.
  - 1) Malfunction or damage due to misuse
  - 2) Malfunction or damage caused by modifications or repairs conducted by any party other than our company or a service person designated by our company
  - 3) Malfunction or damage caused by dropping, transportation or similar handling after product delivery
  - 4) Malfunction or damage caused by fire, earthquake, water, lightning or other natural disaster
  - 5) Malfunction or damage caused by external factors, including power supplies and equipment environmental conditions, that deviate from the operation requirements of this product

- 6) Malfunction or damage if the product was not purchased from our company or an agent designated by our company
- We offer paid service after the conclusion of the warranty period. For details, please contact the retailer where you purchased the unit.
  - Be aware that our company will bear no responsibility for any secondary damages resulting from the operation of this device or related to data.
  - Information is given about products in this manual only for the purpose of example and does not indicate any guarantees against infringements of third-party intellectual property rights and other rights related to them. TEAC Corporation will bear no responsibility for infringements on third-party intellectual property rights or their occurrence because of the use of these products.

## Contact information

### TEAC CORPORATION (Manufacturer)

147 Ochiai, Tama-shi, Tokyo 206-8530 Japan  
 Phone: +81-042-356-9154

### TEAC AMERICA, INC.

10410 Pioneer Blvd. Unit #3, Santa Fe Springs, California 90670, U.S.A.  
 Phone: +1-323-726-0303

### TEAC EUROPE GmbH. (EU Importer)

Bahnstrasse 12, 65205 Wiesbaden-Erbenheim, Germany  
 Phone: +49-611-7158-349

### TEAC UK Limited (UK Importer)

Luminous House, 300 South Row, Milton Keynes, Buckinghamshire, MK9 2FR, UK  
 Phone: +44-1923-797205