

Compression/Tension Load Cell

TU-CR(T) □ □ N/KN-G

High accuracy. High output



Applications

Accuracy 1/2000, ideal for test equipment and industrial scales for conveyor and tanks.

Mounting Method

Bolts to mount (M6 for 50N to 1kN, M12 for 2kN)

Robot Cable

TEDS

RoHS

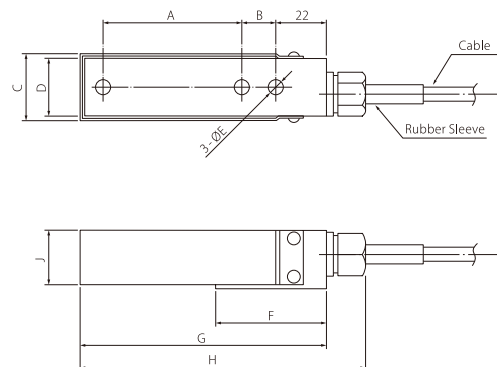
(Embedded in the body) (10 substances)

Specifications

| Line up | TU-CR(T) 50N-G6 | TU-CR(T) 100N-G6 | TU-CR(T) 200N-G6 | TU-CR(T) 500N-G6 | TU-CR(T) 1KN-G6 | TU-CR(T) 2KN-G6 |
|------------------------------------|--|---------------------|---------------------|---------------------|--------------------|--------------------|
| Rated Capacity (R.C.) | 50N | 100N | 200N | 500N | 1kN | 2kN |
| Natural Frequency | 0.3kHz | 0.46kHz | 0.7kHz | 2.2kHz | 3.4kHz | 4.6kHz |
| Weight | 0.2kg | 0.2kg | 0.2kg | 0.2kg | 0.2kg | 0.7kg |
| Safe overload rating | 150% R.C. | | | | | |
| Rated Output (R.O.) | 3mV/V ±1% | | | | | |
| Linearity | 0.05% R.O. | | | | | |
| Hysteresis | 0.05% R.O. | | | | | |
| Repeatability | 0.03% R.O. | | | | | |
| Safe Excitation Voltage | 20V | | | | | |
| Input Terminal Resistance | 350 ±3.5Ω | | | | | |
| Output Terminal Resistance | 350±5Ω | | | | | |
| Insulation Resistance | 1000MΩ or more (DC 50V) | | | | | |
| Compensated Temperature Range | -10°C to 70°C | | | | | |
| Permissible Temperature Range | -30°C to 80°C | | | | | |
| Temperature Effect on Zero Balance | 0.05% R.O. /10°C | | | | | |
| Temperature Effect on Output | 0.05% R.C. / 10°C | | | | | |
| Cable | Φ6, 6-core shielded, 5m direct connection robot cable with bare lead wires | | | | | |
| Mounting Method | Screw Hole | | | | | |
| Body Material | Aluminum | | | | | |

Dimensional drawings

(Units: mm)



| Model | Capacity | A | B | C | D | ØE | F | G | H | J |
|-----------------|----------|----|----|----|----|--------|----|-----|-----|----|
| TU-CR(T)50N-G6 | 50N | 60 | 15 | 29 | 25 | 3-Ø6.5 | 48 | 107 | 124 | 25 |
| TU-CR(T)100N-G6 | 100N | 60 | 15 | 29 | 25 | 3-Ø6.5 | 48 | 107 | 124 | 25 |
| TU-CR(T)200N-G6 | 20N | 60 | 15 | 29 | 25 | 3-Ø6.5 | 48 | 107 | 124 | 25 |
| TU-CR(T)500N-G6 | 500N | 60 | 15 | 29 | 25 | 3-Ø6.5 | 48 | 107 | 124 | 25 |
| TU-CR(T)1KN-G6 | 1kN | 60 | 15 | 29 | 25 | 3-Ø6.5 | 48 | 107 | 124 | 25 |
| TU-CR(T)2KN-G6 | 2kN | 83 | 45 | 39 | 35 | 3-Ø13 | 82 | 167 | 184 | 35 |

