

Compression/Tension Load Cell

TU-CR(T) □ □ N/KN-G

High accuracy. High output



Applications

Accuracy 1/2000, ideal for test equipment and industrial scales for conveyor and tanks.

Mounting Method

Bolts to mount (M6 for 50N to 1kN, M12 for 2kN)

Robot Cable

TEDS

RoHS

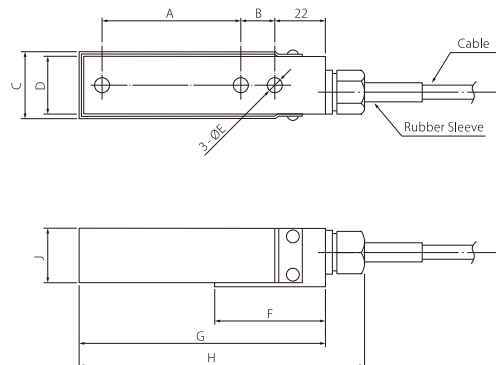
(Embedded in the body) (10 substances)

Specifications

Line up	TU-CR(T) 50N-G6	TU-CR(T) 100N-G6	TU-CR(T) 200N-G6	TU-CR(T) 500N-G6	TU-CR(T) 1KN-G6	TU-CR(T) 2KN-G6
Rated Capacity (R.C.)	50N	100N	200N	500N	1kN	2kN
Natural Frequency	0.3kHz	0.46kHz	0.7kHz	2.2kHz	3.4kHz	4.6kHz
Weight	0.2kg	0.2kg	0.2kg	0.2kg	0.2kg	0.7kg
Safe overload rating	150% R.C.					
Rated Output (R.O.)	3mV/V ±1%					
Linearity	0.05% R.O.					
Hysteresis	0.05% R.O.					
Repeatability	0.03% R.O.					
Safe Excitation Voltage	20V					
Input Terminal Resistance	350Ω ±3.5%					
Output Terminal Resistance	350Ω ±5%					
Insulation Resistance	1000MΩ or more (DC 50V)					
Compensated Temperature Range	-10°C to 70°C					
Permissible Temperature Range	-30°C to 80°C					
Temperature Effect on Zero Balance	0.05% R.O. / 10°C					
Temperature Effect on Output	0.05% R.C. / 10°C					
Cable	Φ6, 6-core shielded, 5m direct connection robot cable with bare lead wires					
Mounting Method	Screw Hole					
Body Material	Aluminum					

Dimensional drawings

(Units: mm)



Model	Capacity	A	B	C	D	ØE	F	G	H	J
TU-CR(T)50N-G6	50N	60	15	29	25	3-Ø6.5	48	107	124	25
TU-CR(T)100N-G6	100N	60	15	29	25	3-Ø6.5	48	107	124	25
TU-CR(T)200N-G6	20N	60	15	29	25	3-Ø6.5	48	107	124	25
TU-CR(T)500N-G6	500N	60	15	29	25	3-Ø6.5	48	107	124	25
TU-CR(T)1KN-G6	1kN	60	15	29	25	3-Ø6.5	48	107	124	25
TU-CR(T)2KN-G6	2kN	83	45	39	35	3-Ø13	82	167	184	35

