

Compression Load Cell

TC-MR(T) □ □ KN-G3

Compact and lightweight



Benefit

Ideal for testing machines with its high response.

Mounting Method

Screw mount.

Robot Cable

TEDS

RoHS

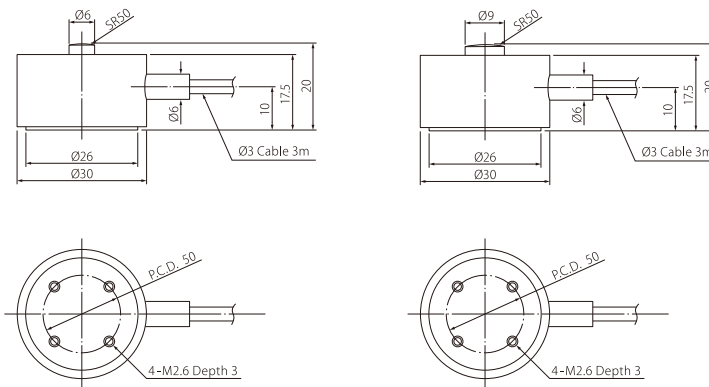
(Embedded in the body) (10 substances)

Specifications

Line up	TC-MR(T)5KN-G3	TC-MR(T)10KN-G3	TC-MR(T)20KN-G3
Rated Capacity (R.C.)	5kN	10kN	20kN
Natural Frequency	50kHz	50kHz	50kHz
Weight	0.06kg	0.06kg	0.06kg
Safe overload rating		150% R.C.	
Rated Output (R.O.)	0.75mV/V ±20%		1.5mV/V ±20%
Linearity		1% R.O.	
Hysteresis		1% R.O.	
Repeatability		0.5% R.O.	
Zero Balance		±10% R.O.	
Safe Excitation Voltage		5V	
Input Terminal Resistance		350Ω ±20Ω	
Output Terminal Resistance		350Ω ±20Ω	
Insulation Resistance		1000MΩ or more (50VDC)	
Compensated Temperature Range		0°C to 50°C	
Permissible Temperature Range		-5°C to 60°C	
Temperature Effect on Zero Balance		0.5% R.O. / 10°C	
Temperature Effect on Output		0.5% R.C. / 10°C	
Cable		Φ3, 6-core shielded, 3m direct connection robot cable with bare lead wires	
Mounting Method		Screw Holes	
Body Material		Stainless Steel	

Dimensional drawings

(Units: mm)



TC-MR(T) □ □ 5KN/10KN-G3

TC-MR(T) □ □ 20KN-G3



- 1000kN
- 500kN
- 300kN
- 200kN
- 100kN
- 49k, 50kN
- 30kN
- 19.6k, 20kN
- 9.8k, 10kN
- 4.9k, 5kN
- 2.94k, 3kN
- 1.96k, 2kN
- 980, 1kN
- 490, 500N
- 196, 200N
- 98, 100N
- 49, 50N
- 19.6, 20N
- 9.8, 10N
- 4.9, 5N
- 2N
- 1N
- 0.5N