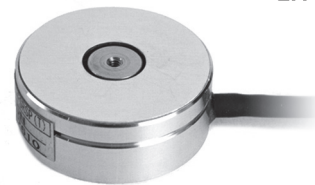


Compression Load Cell

**TC-FSRSP(T) □ □ N-G3**  
**TC-FSRSP2(T) □ □ N-G3**



Exchangeable Load Buttons

Exchangeable Spherical/Flat Load Buttons

Exchangeable load buttons (Spherical/Flat) allow you to apply an ideal load to the object. Third-party adapters can be attached to the tap hole. (M2 depth 2mm)

Load Buttons (included)

**Robot Cable** **TEDS** **RoHS**  
(Embedded in the body) (10 substances)

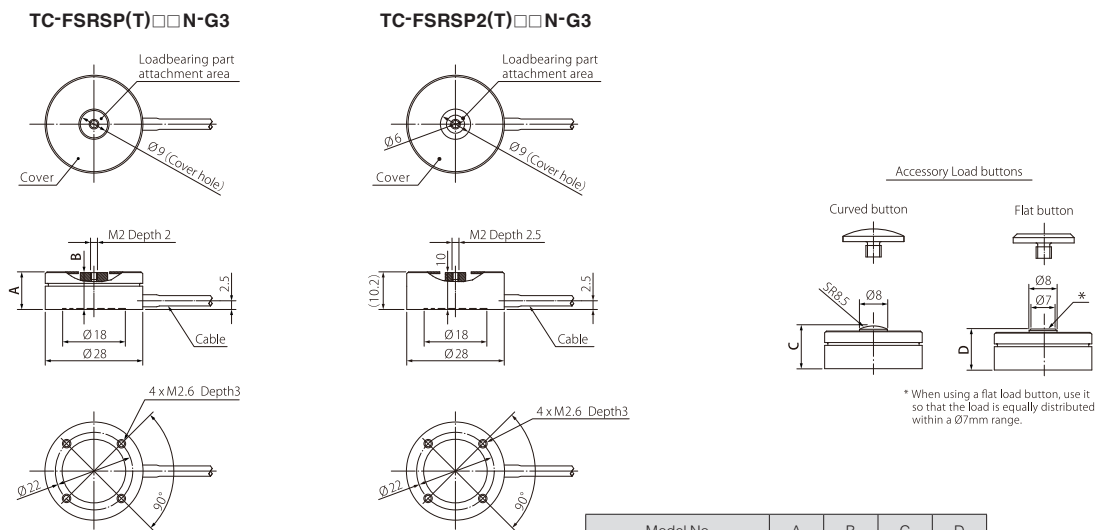
Specifications

Line up	TC-FSRSP2(T)10N-G3	TC-FSRSP2(T)20N-G3	TC-FSRSP(T)50N-G3	TC-FSRSP2(T)100N-G3
Rated Capacity (R.C.)	10N	20N	50N	100N
Natural Frequency	4kHz	5.4kHz	4.9kHz	13kHz
Weight	37g	37g	15g	37g
Safe overload rating	120%			
Rated Output (R.O.)	1mV/V ±50%			
Linearity	1% R.O.			
Hysteresis	1% R.O.			
Repeatability	0.5% R.O.			
Safe Excitation Voltage	5V			
Zero Balance	±30% R.O.			
Input Terminal Resistance	350 ±20Ω		470Ω ±30%	350 ±20Ω
Output Terminal Resistance	350±20Ω		470Ω ±30%	350 ±20Ω
Insulation Resistance	1000Ω or more (DC 50V)			
Compensated Temperature Range	5 to 40°C (no condensation)			
Permissible Temperature Range	0 to 50°C (no condensation)			
Temperature Effect on Zero Balance	2% R.O. / 10°C			
Temperature Effect on Output	1% R.C. / 10°C			
Cable	Φ3, 6-core shielded, 3m direct connection robot cable with bare lead wires			
Body Material	Stainless Steel		Aluminum※	Stainless Steel
Included Accessories	Load Buttons x 2 (Spherical x 1, Flat x 1)			

※Contains Stainless Steel and Steel parts in the body

Dimensional drawings

(Units: mm)



Model No.	A	B	C	D
TC-FSRSP2(T)10N-G3	10.2	10	11.7	11.2
TC-FSRSP2(T)20N-G3	10.2	10	11.7	11.2
TC-FSRSP(T)50N-G3	10.7	10.5	12.2	11.7
TC-FSRSP2(T)100N-G3	10.2	10	11.7	11.2



- 0.5N
- 1N
- 2N
- 4.9, 5N
- 9.8, 10N
- 19.6, 20N
- 49, 50N
- 98, 100N
- 196, 200N
- 490, 500N
- 980, 1kN
- 1,96k, 2kN
- 2,94k, 3kN
- 4,9k, 5kN
- 9,8k, 10kN
- 19,6k, 20kN
- 30kN
- 49k, 50kN
- 100kN
- 200kN
- 300kN
- 500kN
- 1000kN

- General
- Compression type
- Compression/Tension type
- Tension type
- Specialized type
- Floor Scales
- Junction Box
- Accessories
- Units & Terms
- Indicators