

Accuracy

Linearity 0.15%, 0.1%
(G6) (G8)

Body Material

Stainless Steel

Compression Load Cell

Benefit

Easy to install on the existing facilities/systems.

Mounting Method

Four M5 or M8 screws to mount.
(Screw size varies by models.)

Durable Robot Cable standardized

Enhanced durability against bending that occurs in moving parts with frequent repetitive motion, such as industrial robots and machine tools. High stability and reliability are realized.

Plug & Play with built-in TEDS

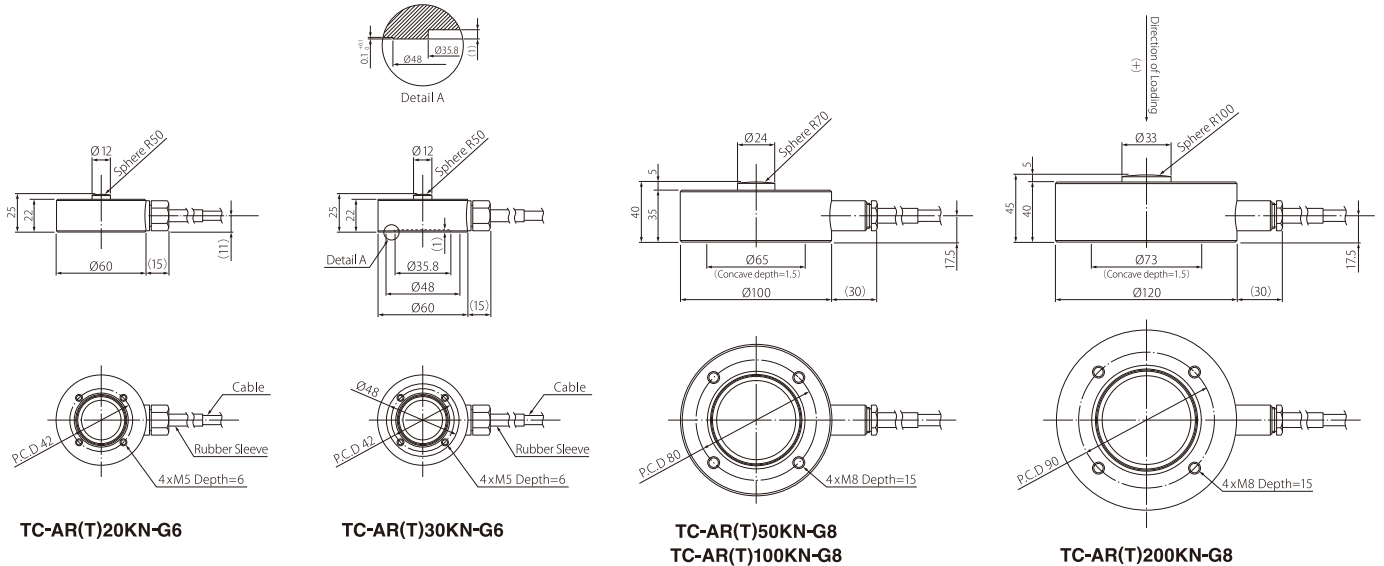
With the TD series indicators, equivalent input calibration, likely to forget in manual setting, can be performed automatically and help prevention.

(See the reverse page for detail on TEDS)

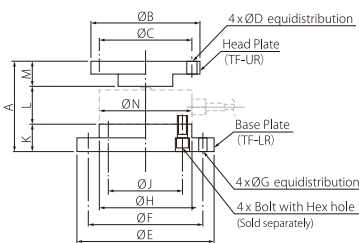
Specifications

Type	Coproression Load Cell				
Model	TC-AR(T)□□KN-G6/8 <div style="float: right; margin-top: 5px;"> TEDS (Embedded in the body) RoHS (10 substances) </div>				
Line up	TC-AR(T)20KN-G6	TC-AR(T)30KN-G6	TC-AR(T)50KN-G8	TC-AR(T)100KN-G8	TC-AR(T)200KN-G8
Rated Capacity (R.C.)	20kN	30kN	50kN	100kN	200kN
Natural Frequency	23kHz	23kHz	7.7kHz	11kHz	5.0kHz
Weight (Approx.)	0.8kg	0.8kg	1.8kg	1.8kg	3.1kg
Safe overload rating	150% R.C.				
Rated Output (R.O.)	2mV/V ±1%				
Linearity	0.15% R.O.		0.1% R.O.		
Hysteresis	0.15% R.O.				
Repeatability	0.1% R.O.				
Safe Excitation Voltage	15V				
Input Terminal Resistance	425Ω ±50Ω				
Output Terminal Resistance	350Ω ±5Ω				
Insulation Resistance	1000MΩ or more (50VDC)				
Compensated Temperature Range	-10°C to 70°C				
Permissible Temperature Range	-30°C to 80°C				
Temperature Effect on Zero Balance	0.1% R.O. / 10°C				
Temperature Effect on Output	0.1% R.C. / 10°C				
Cable	Φ6, 6-core shielded, 5m direct connection robot cable with bare lead wires		Φ8, 6-core shielded, 5m direct connection robot cable with bare lead wires		
Mounting Method	Screw holes				
Body Material	Stainless Steel				

Dimensional drawings (Units: mm)



Head Plate, Base Plate



Model	Head Plate (Weight)	Base Plate (Weight)	Bolt w/ Hex hole	A	ØB	ØC	ØD	ØE	ØF	ØG	ØH	ØJ	K	L	M	ØN
TC-AR(T)-G6 20kN	TF-UR102F (approx. 0.13kg)	TF-LR060F (approx. 0.6kg)	12 x M5	55	53	38	6.6	98	80	6.6	60	42	15	25	15	60
TC-AR(T)-G6 30kN			12 x M5	55	53	38	6.6	98	80	6.6	60	42	15	25	15	60
TC-AR(T)-G8 50kN	TF-UR050F (approx. 1.53kg)	TF-LR101F (approx. 2.9kg)	25 x M5	98	118	100	11	148	124	9	100	80	30	40	28	100
TC-AR(T)-G8 100kN			25 x M5	98	118	100	11	148	124	9	100	80	30	40	28	100
TC-AR(T)-G8 200kN			30 x M5	113	118	100	11	168	144	14	120	90	40	45	28	120

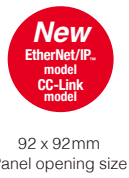
Related Products (Indicators and Signal Conditioners)



Color Graphics Digital Indicator
TD-9000T
RS-485 model
EtherNet/IP™ model
CC-Link model

High performance model with large LCD

Supporting two inputs, force sensor and displacement sensor, various comparison judgments function, and direct saving of waveform data onto large capacity internal memory.



Digital Indicator
TD-700T
Standard model
CC-Link model
RS-485 model

Excellent model with compact and high functionality

Supporting five key functions in one unit, numeric display, graph display, TEDS function, static strain display, and signal conditioner. This small and cost-effective TD-700T achieves equal or even higher performance to upper-class models, with high-visibility color LCD and various hold functions.



Signal Conditioner
TD-SC1
D/A model
RS-485 model

Slim and light-weight signal conditioner

Supporting high-speed sampling of 20,000 times/second, PC-based configuration via USB connection, selectable network, and TEDS calibration function.



* Under planning



Portable Digital Indicator
TD-01 Portable

On-site checking tool with versatility

Supporting various functions that equal to embedded systems, in hand-held size, allowing you to take measurements anytime anywhere, according to your purpose.



EtherNet/IP is a trademark of ODVA, Inc. Other company names, product names and logos in this document are the trademarks or registered trademarks of their respective holders.

TEAC CORPORATION
1-47 Ochiai, Tama-shi, Tokyo
206-8530, Japan
E-mail: cs_ipd@teac.jp
Web: https://loadcell.jp/en/

TEAC America, Inc.,
E-mail: datarecorder@teac.com
TEAC EUROPE GmbH.
E-mail: info@teac.eu
TEAC SALES & TRADING (ShenZhen) CO., LTD.
E-mail: teacservice3@teac.com.cn