

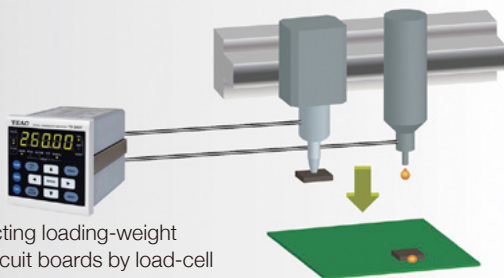
TEAC



1/4 DIN SIZE
DIGITAL INDICATOR
TD-260T
with 5-digit display
-99999 to 99999

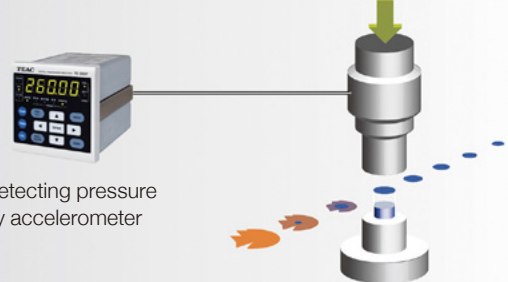
Applications

Load management of mounters/bonders



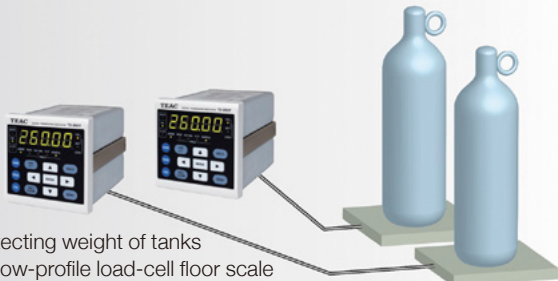
Detecting loading-weight
on circuit boards by load-cell

Pressure/Press fitting management



Detecting pressure
by accelerometer

Remaining amount management of tanks

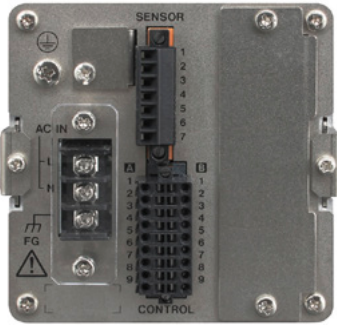


Detecting weight of tanks
by low-profile load-cell floor scale

Remaining capacity management of hoppers



Detecting weight of hoppers
by load-cell



Rear panel of the Base model (AC model)

Combining high-precision and easy-of-use.

The TD-260T is a compact digital instrumentation indicator for strain gauge type transducer, supporting full 5-digit indication on 99999 plus side, various comparison function and hold function. It also complies with the TEDS standard. By combining with various strain gage type transducers compatible with TEDS, sensitivity calibration can be easily and accurately performed. The indicator unit inherits the ease-of-use of previous models, supporting manual zero calibration, span calibration, upper/lower limit comparison, digital/analog filters, motion detect, and zero tracking etc.

Main features

- Directly readable, 5-digit digital display (reading scale -19999 +99999)
- Easy sensitivity calibration facilitated by TEDS* support. Auto-calibration using TEDS transducer connection
- Remote sensing function, ensuring measurement accuracy even with the use of long cables
- Equivalent input calibration. No actual load required for sensitivity adjustment
- Static strain measurement supported, allowing easy identification of a defect on a load cell caused by its plastic deformation
- Comparison functions supported, including for High-High and Low-Low limits as well as High and Low limits
- Different types of hold functions available: peak hold, bottom hold, peak-to-peak hold, and block setting for each hold
- 1/4 DIN (96 x 96mm) size design for installation in testing and manufacturing equipment
- Analog voltage output supported. D/A option available for producing an output that corresponds to the TD-260T's reading
- RoHS compliant

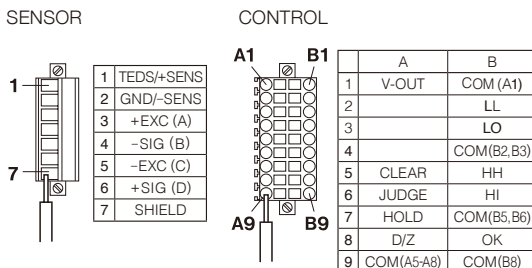
*TEDS: Transducer Electronic Data Sheet

Models and Options

- TD-260T AC Base model (AC model)
- TD-260T AC(BCD) ... BCD Output (AC model)
- TD-260T AC(232C) ... RS232C Output (AC model)
- TD-260T AC(D/A) DAC Volt-ampere Out (AC model)
- PN-260ND Optional NDIS Panel*

* Compatible with Base models only.

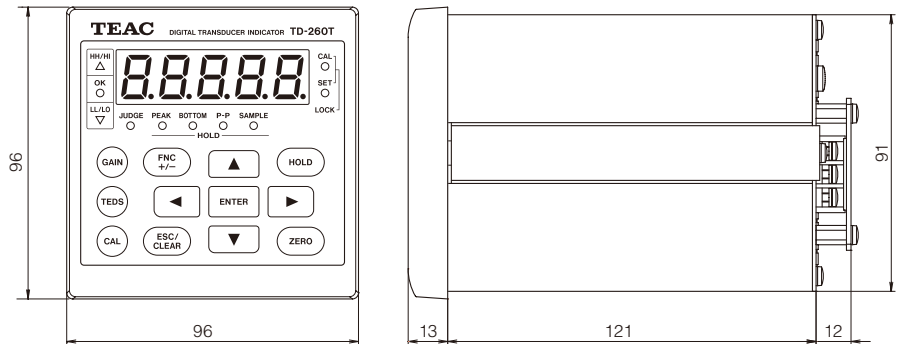
Pin Assignment



Specifications

Bridge Voltage (BV)	10V DC, 2.5V ±10% (Current: 60mA max. Remote sensing available)	
Signal input range	±3.2mV/V	
Equivalent input/ TEDS	Calibration range	0.3mV/V to 3.2mV/V
	Calibration accuracy	Within 0.1% FS (at 10V for BV and 0.5mV/V or more for sensor sensitivity)
Zero adjustment range	±2.0 mV/V	
Accuracy	Linearity	Within 0.01% FS+ and 1 digit (at an input of 1mV/V or more)
	Zero drift	0.5 μV/°C or less (RTI)
	Gain drift	Within ±0.005% FS/°C
A/D conversion rate	100 times/sec	
Analog filter	Selectable from 3, 10, 30, 100, 300Hz (-12dB/oct)	
Analog voltage output	Voltage	Approx. 2V for 1mV/V
	Load register	2kΩ or more
TEDS function	IEEE1451.4 Class 2 Mixed-mode interface*	
Display	Characters	14.6mm high alphanumeric (shown by 7-segment green LED display)
	Range	-19999 to 99999
	Decimal point	Position to be selectable
	Refresh rate	4, 6, 10, 20 times/sec
Display items	Calibration setting	Zero CAL/ Span CAL (TEDS CAL, Actual load CAL, Equiv. input CAL)
	Function settings	HI value, LO value, HH value, LL value, Comparison mode, Hysteresis, Near-zero, Digital filter, Analog filter, Motion detection, Zero tracking, Static strain, Digital zero, Zero offset, Hold mode, Key lock, Minimum scale, Refresh rate, Bridge voltage, B.C.D data refresh rate, RS232C, D/A converter
Hold functions	Sample hold, Peak hold, Bottom hold, Block-specified hold (Peak, Bottom, Peak-to-Peak)	
External input/ output signals	Input	Hold, Decision, Clear, Digital zero
	Output	1a contact for each relay: HH, HI, OK, LO, LL, analog voltage
Power supply	AC power rating	100 to 240V ±10% 50/60Hz AC, 13W
Operating temperature range		-10°C to 40°C
Storing temperature range		-20°C to 60°C
Operating humidity range		85% RH or less (no condensation)
Standard	Safety standard	Installation class I, EN61010-1 Pollution degree 2 Overvoltage category II, CE marking
	EMC	VCCI (Class A), EN61326 (Class A), EN61000-3-2, EN61000-3-3
External dimensions (WxHxD)		Approx. 96 x 96 x 146 mm (excluding protrusions)
Weight		Approx. 950g

* Note that the TEDS function cannot be used when remote sensing of excitation power supply is used.



TEAC CORPORATION

1-47 Ochiai, Tama-shi, Tokyo
206-8530, Japan

E-mail: cs_ipd@teac.jp

Web: <https://datarecorder.jp/>

TEAC America, Inc.,

E-mail: datarecorder@teac.com

TEAC EUROPE GmbH.

E-mail: info@teac.eu

TEAC SALES & TRADING (ShenZhen) CO., LTD.

E-mail: teacservice@teac.com.cn