

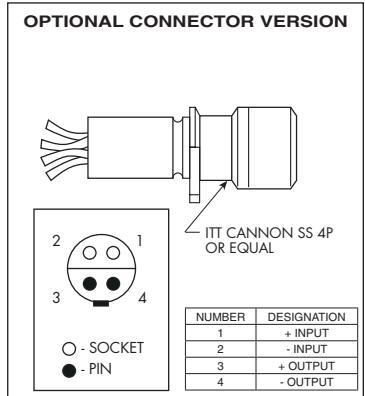
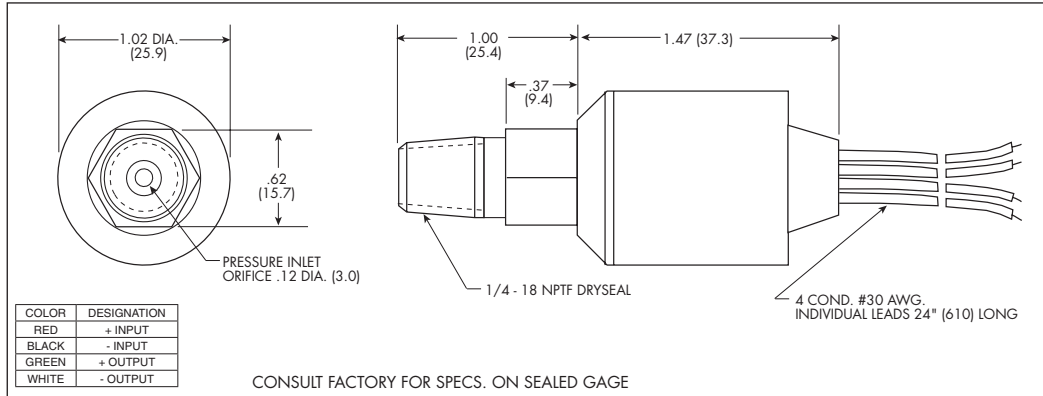


RUGGEDIZED LOW COST OEM PRESSURE TRANSDUCER

ITQ-1000 SERIES

- Advanced Technology Integrated Sensor
- Military Qualified
- Proven Performance
 - Millions of Hours Accumulated
 - Billions of Cycles Accumulated
- Rugged
- Excellent Stability, Repeatability And Accuracy

The ITQ-1000 Series transducer was designed for high volume military applications where severe temperature and vibration is encountered. The Series represents a unique combination of excellent performance characteristics combined with low cost.



INPUT	Pressure Range	0.7 10	1.0 15	1.7 25	7 100	21 300	35 BAR 500 PSI
	Operational Mode	Absolute, Sealed Gage					
	Over Pressure	2 Times Rated Pressure					
	Burst Pressure	3 Times Rated Pressure					
	Pressure Media	All Nonconductive, Noncorrosive Liquids or Gases (Most Conductive Liquids and Gases - Please Consult Factory)					
	Rated Electrical Excitation	10 VDC					
	Maximum Electrical Excitation	12 VDC					
OUTPUT	Input Impedance	1500 Ohm (Typ.), 500 Ohm (Min.)					
	Output Impedance	1000 Ohm (Typ.), 2000 Ohm (Max.)					
	Full Scale Output (FSO)	100 mV (Nom.)					
	Residual Unbalance	± 5 mV (Typ.)					
	Combined Non-Linearity, Hysteresis and Repeatability	± 0.5% FSO BFSL (Typ.)					
	Hysteresis	± 0.1% FSO (Max.)					
	Repeatability	± 0.25% FSO (Max.)					
	Resolution	Infinitesimal					
	Natural Frequency of Sensor Without Screen (KHz) (Typ.)	175	200	240	380	575	700
	Insulation Resistance	50 Megohm Min. @ 50 VDC					
ENVIRONMENTAL	Operating Temperature Range	-65°F to +250°F (-55°C to +120°C)					
	Compensated Temperature Range	50°F to +200°F (10°C to +93°C)					
	Thermal Zero Shift	± 2% FS/100°F (Typ.)					
	Thermal Sensitivity Shift	± 2% /100°F (Typ.)					
	Linear Vibration	50g Peak, Sine 10 to 3000 Hz					
	Submersion	Will Withstand a Salt Water Immersion (5%) With Input Port Protected					
	Humidity	MIL-STD 810, METHOD 507					
PHYSICAL	Mechanical Shock	5000g. 100µ sec.					
	Pressure Port	1/4"-18 NPTF Male - Dry Seal					
	Electrical Connection	4 Conductor 30 AWG Individual Leads 24" Long					
	Weight	100 Grams Approx.					
Pressure Sensing Principle	Fully Active Four Arm Wheatstone Bridge Dielectrically Isolated Silicon on Silicon						

Note: Custom pressure ranges, accuracies and mechanical configurations available. Dimensions are in inches. Dimensions in parenthesis are in millimeters. All dimensions nominal. (E) Continuous development and refinement of our products may result in specification changes without notice. Copyright © 2014 Kulite Semiconductor Products, Inc. All Rights Reserved. Kulite miniature pressure transducers are intended for use in test and research and development programs and are not necessarily designed to be used in production applications. For products designed to be used in production programs, please consult the factory.